



VECTRA X3

***WITH SEPERATE
LOCK/UNLOCK BUTTONS***

**VEHICLE SECURITY SYSTEM
PRODUCT MANUAL**

Limited Lifetime Warranty

This vehicle security system is warranted to the original purchaser, to be free from defects in material and workmanship. The manufacturer will repair or replace at its option, and free of charge for the first twelve (12) months, any part that proves defective in material or workmanship under normal installation, use, and service, provided the product is returned to the manufacturer freight prepaid. After the first 12 month warranty period there will be a maximum service charge of \$25.00 per calendar year (if required) for repair and/or replacement of any defective parts.

A copy of the original purchase and installation receipt must accompany any products returned for warranty service. Warranty is limited to defective parts and/or replacement parts only and excludes any incidental, and consequential damages connected therewith.

The manufacturer of this theft deterrent system makes no warranty against the theft of the vehicle or its contents. This warranty is not to be construed as an insurance policy against loss.

WARRANTY OF INSTALLATION LABOR, REMOVAL AND RE-INSTALLATION CHARGES ARE NOT THE RESPONSIBILITY OF THE MANUFACTURER.

Note: This Warranty is voided if the product was not installed by an Authorized ScyTek Dealer.

Table of Contents

1.	About Your System	Page 1
2.	2-way LCD Remote Transmitters	Page 2
	2-way LCD Remote Transmitter Description	Page 2
	Adding/Replacing 2-way LCD Transmitters	Page 3
	Battery Replacement	Page 3
	Setting The Time	Page 3
	Setting The Alarm Clock	Page 3
	LCD Backlight	Page 4
	System Confirmation	Page 4
	Transmitter Programming	Page 4
	LCD Icon Description	Page 5
3.	Remote Transmitters	Page 6
	Remote Transmitter Description	Page 6
	Adding/Replacing Transmitters	Page 7
	Two Car Operation	Page 7
	Battery Replacement	Page 7
4.	System Operation	Page 8
	Remote Arming	Page 8
	Remote Disarming	Page 8
	Tamper Alert	Page 9
	Silent Arming/Disarming	Page 9
	Passive Arming	Page 9
	Panic Mode	Page 10
	Emergency Override	Page 10
	Optional Coded Emergency Override	Page 10
	Automatic Rearming	Page 11
	Valet Mode	Page 11
	Driver Calling	Page 11
5.	Extended Features	Page 12
	Ignition Controlled Door Locks	Page 12
	Dome Light Activation	Page 12
	Auxiliary Function Outputs	Page 12
	Disarm with Auxiliary Function	Page 12
	Remote Sensor Disable	Page 12
	Anti-Carjacking Protection	Page 12
6.	System Installation	Page 13
	Mounting the Control unit	Page 14
	Mounting the Siren	Page 14
	Mounting the Shock Sensor	Page 14
7.	System Wiring	Page 15
	14-Pin Main Harness	Page 15
	3 Pin Door Lock Harness	Page 15
	Plug-in Connectors	Page 16
	Jumper Settings	Page 16
8.	System Programming	Page 17
	Entering System Programming	Page 17
	Default Reset	Page 17
	Programmable System Options	Page 17
	Branch Table	Page 19
9.	Door Lock Diagrams	Page 20
10.	Two Stage Door Lock Diagrams	Page 21
11.	Technical Information	Page 23
12.	Wiring Diagram	Back Page

About Your System

Congratulations on your purchase of this state-of-the-art vehicle security system from ScyTek Electronics. With proper installation this system will provide superior protection and performance for many years to come.

System Contents:

- Main Unit
- One 5-Button 2-Way LCD Remote Transmitter
- One 5-Button Random Code Remote Transmitter
- 2-Way Pager Transceiver Antenna
- High Output 6-tone Siren
- Dual Stage Shock Sensor
- Status LED
- Coded Emergency Override/ Valet Switch/Call Button built into the antenna(See Page 23)

Options and Accessories*

This ScyTek system includes several optional inputs and outputs allowing the creation of a completely personalized security and convenience system by offering many optional features such as:

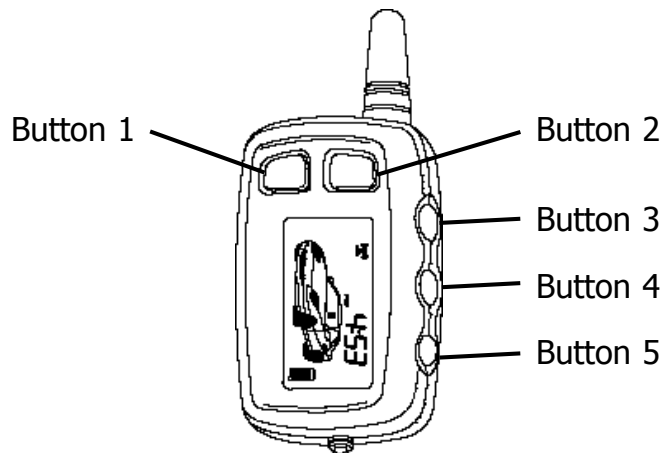
***May require additional parts and/or labor, see store for details.**

- Second Car Operation
- Remote Door Locking
- Two Stage Door Unlocking
- Starter Defeat
- Horn Honk
- Illuminated Entry
- Remote Window Control
- Remote Car Start
- Power Trunk / Hatch Release
- Glass Breakage Sensor
- Radar Sensor
- Auxiliary Lighting Control
- Back-up Battery Siren

PLEASE NOTE:

Some of the features described in this manual may require additional parts and/or labor, and may not be included as part of the standard installation of this unit. Additionally, many features of this security system have selectable options that must be activated or programmed during the system's installation. These items will be identified in the following sections. Please discuss these features and any questions you may have regarding the installation of this product with Your Authorized Dealer.

2-way LCD Remote Transmitter Description



The Astra's 777 2-way LCD remote transmitter is offering increased range and confirmation of any activated feature.

Page 1

Button 1 Arms and Locks* the system and when held for 5 seconds, activates the system's Panic feature. Button 1 also locks the doors when the system is in Valet Mode.

Button 2 Disarms and Unlocks* the system. Pressing Button 2 again operates the Passenger Unlock feature (if installed). *Button 2* also unlocks the doors when the system is in Valet Mode.

Button 3 Activates the Auxiliary 1 output normally used for trunk release (note trunk icon on button).

Button 4 Activates the Auxiliary 2 output.

Button 5 is the Confirmation, Programming and the Page Shift button. Quickly pressing button 5 will activate the **Page 2 function**. Pressing button 5 for 2 seconds activates the system's confirmation feature which will then display the current status of the system (armed, disarmed, engine running, etc.).

Page 2

Button 5 then Button 1 : Silently Arms and Locks* the system. Button 1 also locks the doors when the system is in Valet Mode.

Button 5 then Button 2: Silently Disarms and Unlocks* the system, also unlocks the doors when the system is in Valet Mode.

* **If the Optional Keyless Entry Feature is installed.**

Adding/Replacing 2-way LCD Transmitters (2 LCD remotes maximum)

When adding an optional 2-way LCD transmitter to the system, follow these steps:

1. Turn on the ignition key On, Off, On, Off, On, Off, and back On. (Key On 4 times)
 - The siren will chirp 4 times.
2. Press and hold the Override switch for 5 seconds.
 - The siren will chirp 4 times.
 - The LED will illuminate.
3. Press Button 1 on the first transmitter, then on the second transmitter.
 - The siren will chirp once for each transmitter learned.
4. Turn off the ignition key.
5. The siren will chirp 3 times to indicate the system has exited programming mode.

LCD Transmitter Battery Replacement

Your Astra Remote Transmitter uses a 1.5 volt AAA alkaline battery, which will require replacement in time. Depending on the amount of use, the battery may last up to three months before it needs replacement. When the battery needs replacing, the system's operating range will decrease, the LCD display will show only one of three bars in the battery icon, or the display and sounds may suddenly stop and start as the battery voltage drops below minimum.

In order to change the battery, first slide the battery door locking pin to the side. Carefully slide the battery cover downward until it is free. While replacing the battery make sure that the positive and negative terminals are positioned correctly, then carefully reassemble the transmitter case.

Setting The Time

The LCD display is equipped with a 12-hour clock that in addition to displaying the time, offers an alarm clock function as well as a remote activation timer.

To set the time:

1. Press and hold Buttons 2 and 3 for three seconds.
 - The remote will beep two times and three bars will be shown indicating time set mode is entered.
2. Press Button 2 until the correct hour is displayed.
3. Press Button 3 until the desired minute is displayed. The button may be held down to scroll faster.
4. When the desired time is displayed, press Button 5 to store.
 - The remote will beep 3 times to indicate the time has been set.

Setting The Alarm Clock

The alarm clock function can be set to play an alert melody at a specific time of day.

To set the alarm clock function:

1. Press and hold Buttons 2 and 3 until the remote beeps three times.
 - The alarm clock bell and three bars will be shown indicating alarm clock set mode is entered.
2. Press Button 2 until the desired hour is displayed.
3. Press Button 3 until the desired minute is displayed. The button may be held down to scroll faster.
4. When the desired time is displayed, press Button 5 to store.
 - The remote will beep 3 times to indicate the alarm clock has been set.

To disable the alarm clock function:

1. Press and hold Buttons 2 and 3 until the remote beeps three times.
 - The alarm clock bell and three bars will be shown indicating alarm clock set mode is entered.
2. Press Button 1 to disable the alarm clock.
 - The remote will beep 3 times to indicate the alarm clock has been disabled.

LCD Backlight

Transmitter Button 5 is used for confirmation, transmitter programming, as well as activation of the LCD backlighting for use in the dark. Press button 5 to activate the LCD backlight.

System Confirmation

The 2-way transmitter's confirmation feature allows the current vehicle status to be displayed at any time.

To display system status:

1. Press and hold Button 5 until the display shows CON.
 - The transmitter will beep once.
2. Release Button 5.
 - The transmitter will beep once.
 - The icon representing the system's current status will be displayed on the LCD panel.

Transmitter Programming

Pressing and holding transmitter button 5 will scroll through several transmitter programmable options that may or may not be available depending on the model of system installed

DEG (degress) **Not applicable on this model.**

CHP Sets the siren confirmation chirps ON or OFF:

1. Press and hold Button 5 until the display shows CHP.
 - The transmitter will beep 3 times.
2. Release Button 5.
 - The transmitter will beep once.
 - The LCD panel will show a siren if the chirps are enabled or "off" if the chirps are disabled.

SND Sound function allows disabling of the transmitter's confirmation tones.

To turn the transmitter confirmation tones on or off:

1. Press and hold Button 5 until the display shows SND.
 - The transmitter will beep four times.
2. Release Button 5.
 - The transmitter will beep once.
 - The LCD panel will beep five times if enabled or vibrate and display "off" if the confirmation tones are disabled.

PSV Passive function allows the passive arming mode to be enabled or disabled with the transmitter.

Note: This feature may not be available on all systems.

To enable or disable the passive arming mode:

1. Press and hold Button 5 until the display shows PSV.
 - The transmitter will beep five times.
2. Release Button 5.
 - The transmitter will beep once and the system will begin the passive arm mode
 - The LCD panel will display "off" and vibrate twice if disabled.

VLT Valet mode function sets and resets the security system valet mode.

* this function is enabled only when the security system is disarmed

Set or reset the Valet mode:

1. Press and hold Button 6 until the display shows VLT.
 - The transmitter will beep six times.
2. Release Button 5.
 - The LCD panel will play a tone if the Valet mode was set "V" will be displayed indicating that the system is in Valet mode.
 - The transmitter will beep twice if the Valet mode was reset. "V" will turn off indicating that the security system is out of Valet mode.



System Armed

Indicates the alarm is ON.



System Disarmed

Indicates the alarm is OFF.



Warn Away

Indicates the warn away has been triggered.



Trunk Release

Indicates the trunk or auxilliary function has been activated.



Door Open

Indicates the door zone has been triggered.



Shock Sensor

Indicates the shock sensor has been triggered.



Battery Low

Indicates the battery inside the transmitter needs to be replaced.



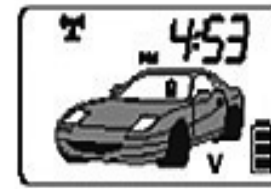
Trunk Open

Indicates the trunk or hood zone has been triggered.



Alarm clock

Indicates the programmable timer has been set.



Valet Mode

Indicates the system has been placed in valet mode.

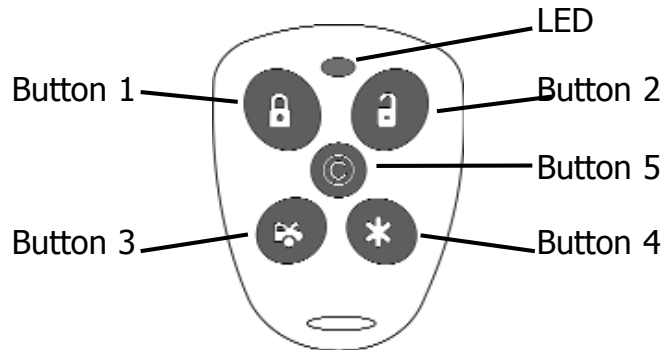


Panic

Indicates the panic mode has been triggered.

Remote Transmitters

Remote Transmitter Description



The VECTRA X3 is supplied with one 5-button Remote Transmitter used to control system operations.

Button 1 Arms and Locks* the system and when held for 5 seconds, activates the system's Panic feature. *Button 1* also locks the doors when the system is in Valet Mode.

Button 2 Disarms and Unlocks* the system. Pressing *Button 2* again operates the Passenger Unlock feature (if installed). *Button 2* also unlocks the doors when the system is in Valet Mode.

Button 3 Activates the Auxiliary 1 output. This output will remain on for as long as the button is pressed.

Button 4 Activates the Auxiliary 2 output. This output will remain on for as long as the button is pressed.

Button 5 is the Page *Shift* button. The Page Shift button will change the function of Buttons 1 through 4 each time it is pressed, allowing access to additional features or multiple car operation. Each time the Shift Button is pressed, the LED on the transmitter will illuminate and the transmitter functions will shift to the next page, allowing access to another set of features. Once shifted to another page (there are 4 pages total), the transmitter will remain on that page for 10 seconds or until a button is pressed, then return to page 1. Each time a transmitter button is pressed and held, the LED will flash a number of times to indicate from which page it is transmitting. Under normal operation, only pages 1 and 2 are used. Pages 3 and 4 are usually used for Two Car Operation (see page 3).

Shift then Button 1 Arms and Locks* the system silently.

Shift then Button 2 Disarms and Unlocks* the system silently.

*** If the Optional Keyless Entry Feature is installed.**

Adding/Replacing One-Way Transmitters

To replace lost or stolen transmitters or to add additional transmitters into the system, have all desired transmitters ready and follow the steps below.

Note: Up to 4 one-way transmitters can be programmed to operate the system. Any previously stored transmitter code will be erased if it is not programmed within the following sequence.

To program the transmitter(s):

1. Turn on the ignition key On, Off, On, Off, and back On.
 - The siren will chirp 3 times.
2. Press and hold the Override switch for 5 seconds.
 - The siren will chirp 5 times.
 - The LED will illuminate.
3. Press Button 1 on the first transmitter.
 - The siren will chirp once.
4. Press Button 1 on the first transmitter again.
 - The siren will chirp twice to indicate it has learned the code.
5. Repeat steps 3 and 4 for each transmitter (up to 4).
6. Turn off the ignition key.

Two Car Operation

If two vehicles are equipped with VECTRA X3 systems, for convenience both can be operated using the same remote transmitter. If all four transmitters are to be used with both cars, program transmitters A and B into the first vehicle in the manner described above. Program transmitters C and D by pressing the Shift button twice before performing steps 3 and 4 above.

When finished programming the first vehicle, program transmitters C and D into the second vehicle as normal, then program transmitters A and B by pressing the Shift button twice before performing steps 3 and 4 above.

When programmed in this manner, the driver of the first car can also operate the second vehicle by pressing the Shift button twice and the desired function button.

Battery Replacement

Your Remote Transmitter uses a 12 volt alkaline battery (type 23A), which will require replacement in time. Depending on the amount of use, the battery may last up to six months or more before it needs replacement.

When the battery needs replacing, the system's operating range will decrease or the transmitter LED may not be as bright.

In order to change the battery, first remove 2 screws from the back of the transmitter and separate the top and bottom halves of the case.

While replacing the battery make sure that the positive and negative terminals are positioned correctly, then carefully reassemble the transmitter case.

System Operation

Remote Arming

The system monitors 4 independent areas (**zones**) while armed: doors, hood/trunk, shock sensor and optional sensor input.

To Arm the System:

1. Turn off the ignition.
2. Press Button 1.
 - The siren will chirp once.*
 - The doors will lock.
 - The parking lights will flash once.
 - The LED will turn on, to indicate the starter defeat is activated.
3. 5 seconds after Arming:
 - The LED will start blinking to indicate that the doors and hood/trunk inputs are being monitored.

* **During Arming, if the system detects a bad sensor or an open zone, the system will chirp 4 additional times and ignore that input, but keep all other areas protected.**

Once Armed, the alarm will trigger when any of the following occurs:

- **The doors are opened.**
- **The hood or trunk is opened.**
- **The shock sensor detects an impact to the vehicle.**
- **The optional sensor is disturbed.**

When the alarm triggers, the siren will sound, the horn will honk, and the parking lights will flash. If the system is triggered by the doors, or hood/trunk, the system will alarm for 45 seconds. If triggered by the shock sensor or optional sensor input, the system will alarm for 30 seconds.

In the event the alarm is triggered and remains triggered continuously by the same sensor or input during a single arming cycle, that sensor or input will be automatically bypassed until the next time the system is armed.

If the Shock Sensor detects a light impact to the vehicle, or the Optional Sensor's warn-away zone is disturbed, the siren will chirp 5 times as a warning indication.

Remote Disarming

To Disarm the System:

Press Button 2

- The siren will chirp twice.*
- The doors will unlock.
- The parking lights will flash twice and remain on for 30sec..
- The dome light will turn on.**
- The LED will turn off.

* **During Disarming, if the system was triggered while away from the vehicle, the siren will chirp 3 times, the parking lights will flash 3 times, and the LED will flash to indicate triggered zone. See *Tamper Alert* for zone listing.**

** **If the optional Dome Light Activation Feature is installed.**

Tamper Alert

If the system was triggered while away, the LED will flash to indicate which zone triggered the system after disarming and turning on the ignition. The LED indication will repeat 8 times.

LED Flashes:

1 flash	=	optional sensor
2 flashes	=	shock sensor
3 flashes	=	not used
4 flashes	=	door
5 flashes	=	trunk
10 flashes	=	main power interrupt or system was reset

example: flash-flash-pause-flash-flash-pause = shock sensor

Silent Arming/Disarming

The system can be programmed to operate without Arm and Disarm chirp indications. When programmed for full-time silent operation, the siren will sound only when the system is triggered.

The system is also capable of temporary silent operation if desired. Pressing the Shift button before Arming or Disarming the system will bypass the chirp confirmations and allow one-time silent operation.

Note: The open zone warning chirps will not be bypassed when the system is Armed or Disarmed silently.

Passive Arming

When programmed for the optional Passive Arming feature, the system arms itself automatically, each time the ignition is turned off and all of the doors, hood, and trunk are closed.

To start the Passive Arming Process:

1. Turn off the ignition.
2. Open the door and exit the vehicle.
 - Once all doors are closed and the dome light is off, the LED will begin flashing rapidly. Parking Lights will flash twice three seconds after passive arming cycle began.
3. After 30 seconds,
 - The siren will chirp.
 - The parking lights will flash.
 - The doors will lock.*
 - The status LED will begin flashing.
4. The system is now armed.

*** If the Passive Locking feature is selected.**

Panic Mode

In the event of an emergency, the transmitter's remote Panic feature can be used to instantly trigger the alarm.

To activate the Panic Mode:

1. Press and hold Button 1 for 5 seconds.
 - The alarm will sound.
 - The parking lights will flash.
 - The doors will unlock* allowing access to the vehicle.
2. Press Button 2 to stop Panic Mode.

* **If the ignition is on when the Panic feature is activated, the doors will lock for personal safety.**

Emergency Override

If the transmitter becomes lost or inoperable, the system can still be disarmed using the following procedure. Before beginning this procedure be sure to have the ignition key ready and know the location of the override switch.

To Emergency Override the system:

1. Unlock the door using the key.
2. Enter the vehicle.
 - The system will trigger and the siren will sound.
3. Turn the ignition key on.
4. Press and hold the override switch until the system disarms.
5. The vehicle will now be able to start.

Optional Coded Emergency Override

As an extra measure of security, the system is equipped with an optional Coded Emergency Override feature. Once an Emergency Override Code is chosen and programmed during installation, the system can no longer be disarmed using the standard override procedure.

To Emergency Override the system using the Code:

1. Follow steps 1-3 above.
2. Press the override switch a number of times equal to the Disarm code, and continue holding for 10 seconds on the last press.
 - The system will disarm. If the code is entered incorrectly, turn off the ignition and begin again.

To set the Emergency Override Code:

1. Turn on ignition.
2. Within 5 seconds, press the valet switch 5 times.
 - The siren will provide one long chirp, indicating that you have entered Programming.
3. Press the valet switch 4 times.
 - The siren will chirp each time the valet switch is pressed.
4. Within 5 seconds, press Button 3 on the transmitter.
 - The siren will chirp 3 times.
5. Press the valet switch the number of time equal to the desired code (from 1-15).

6. Turn off the ignition then arm the system.
7. Disarm the system using the new Override Code to permanently store the new code.

Note: If the code set procedure is not properly performed, turn off the ignition and begin again. The override code will not be permanently stored until the code is used to disarm the system.

Automatic Rearming

The Automatic Rearming feature is designed to protect the vehicle in the event the system is accidentally disarmed. With the Automatic Rearming feature enabled, the alarm will automatically rearm and lock 30 seconds after disarming.

* **Note** Door open trigger does not stop the Rearm Cycle

Valet Mode

The Valet Mode temporarily disables the security system so the vehicle may be operated by a mechanic or parking attendant.

To activate or deactivate the Valet Mode:

1. Turn on the ignition.
2. Press and hold the override switch for 5 seconds.
 - The siren will chirp once and the LED light will stay ON to confirm the Valet Mode is on.
 - The siren will chirp twice and the LED light will turn OFF to confirm the Valet Mode is off.
3. Turn off the ignition.

While in Valet Mode the remote transmitters will continue to lock and unlock the doors, and operate the optional auxiliary functions.

DRIVER CALLING/PAGE FEATURE

The VECTRA X3 is equipped with a Driver Calling or Paging feature that allows the system to send a page to the LCD transmitter in the event the transmitter has been misplaced or lost (within 1500 feet)

To activate the Driver Calling/Page feature:

1. Locate the Valet/Emergency Override button in your vehicle (Ask your installation shop)
 - With the ignition switch OFF, press and hold the Valet/Emergency override button for 2 seconds, then release.
 - The LCD transmitter will beep continually and the "DRIVER CALLING" icon will appear
 - Press and release button 5 to turn off transmitter page.

Extended Features

Ignition Controlled Door Locks

For added safety, the Ignition Door Locking feature allows vehicles equipped with power door lock systems to automatically lock the doors when the ignition is turned on, and unlock the doors after the ignition key is turned off. If a door is open when the ignition is turned on, the ignition locking feature is disabled to protect against locking the keys inside the vehicle.

Dome Light Activation

If the optional Dome Light Activation feature is installed, the dome light will turn on when the system is disarmed using the Remote Transmitter. The dome light will remain on for 30 seconds or until the ignition is turned on.

Auxiliary Function Outputs

The VECTRA X3 system is equipped with 2 Auxiliary Outputs allowing the convenience features of the system to be further expanded. These outputs can be used to add a number of optional features such as: power trunk release, remote engine start, power window activation, power sunroof control, and more.

Disarm with Auxiliary Function

If Auxiliary 1 is installed to activate the vehicle's trunk release, the system can be programmed to automatically disarm the alarm when the trunk is opened using the transmitter. In this manner, the trunk can be accessed without first disarming the alarm.

Remote Sensor Disable

When parking the vehicle in areas susceptible to unwanted disturbance from animals or strong weather conditions that could cause the sensors to trigger, the sensor inputs can be temporarily bypassed using the Remote Transmitter, preventing possible false alarms.

To disable the sensor inputs :

1. Arm the system normally.
2. Within 5 seconds of Arming the system, press the Arm button again.
 - The siren will chirp 5 times and the parking lights will flash 5 times to indicate the sensors are disabled.
 - The sensors will remain disabled until the next arming cycle.

Anti-Carjacking Protection

For a higher level of personal security, the system is equipped with three programmable Anti-Carjacking modes. When any Anti-Carjacking mode is triggered, the parking lights will flash twice to confirm activation. After 90 seconds the siren will begin chirping for 15 seconds as a warning, prior to entering full alarm mode. During the full alarm mode, the siren will sound, the parking lights will flash, and the horn will honk for up to five minutes or until the system is reset.

Manual. When selected, pressing Button 4 of one way remote, or page 2 button 3 of the LCD remote, with the ignition ON will automatically trigger the Anti-Carjacking feature. Press the Button again to reset the Manual Anti-Carjacking mode.

Passive. When selected, the Anti-Carjacking feature will activate whenever a door is opened while the ignition is on. Press the Valet switch 1 time to reset the Passive Anti-Carjacking mode.

Full-Time. When selected, the Anti-Carjacking feature will automatically activate each time the ignition is turned on. Press the Valet switch 1 time while the ignition is on to reset the Passive Anti-Carjacking mode.

Note: The desired Anti-carjacking mode must be programmed during installation.

System Installation

1. Thoroughly read and become familiar with the installation instructions before beginning the installation.
2. Review system contents:
 - Main Unit
 - 1 One-Way 5-Button Remote Transmitter
 - 1 Two-Way 5 Button LCD Transmitter
 - Siren
 - Shock Sensor
 - Harnesses
 - Receiver Antenna
 - 14-Pin main harness
 - 4-Pin shock sensor harness
 - 3-Pin door lock harness
 - LED harness
 - Valet Switch harness
 - Receiver Harness
3. Verify with the owner, the mounting locations for all visible components, including the LED and Override switch.
4. Verify with the owner, the optional features of the VECTRA X3 and the functions that must be programmed during installation.
5. Inspect and perform a function test of all vehicle systems before and after the installation.
6. Always use a Volt / Ohm meter for testing vehicle circuits. Never use a test light.
7. Always look before drilling any holes or mounting self-tapping screws. Be sure fuel lines and exterior wiring looms are clear as they are often close to the chassis and difficult to see.
8. Protect all wires running from the engine compartment to the interior of the vehicle by covering with electrical tape and split loom tubing. Be sure to use a grommet when routing wires through the firewall.
9. Properly fuse any additional accessories such as window modules, door lock actuators, etc., making sure to power them separate from the alarm module. This will ensure the functionality of the security system in the event of an accessory failure.

Mounting the Control Unit

The control unit must only be mounted in the interior of the vehicle. Do not mount the main unit in the engine compartment. Choose a mounting location that will not be easily accessible to a thief, and will not interfere with the operation of any vehicle components such as foot pedals, steering column, air vents, seat rails, etc.

Do not mount the control unit until after setting the internal jumpers and performing a complete operation check of the system. After installation is complete and performance verified, the control unit can be easily mounted using wire ties through the mounting tabs on the bottom of the unit.

Mounting the Siren

Choose a siren mounting location that is away from heat sources such as exhaust manifolds, and where it cannot be easily accessed from underneath the vehicle. Be sure to face the siren downward to prevent the collection of water in the siren's housing.

Always route all wires from the engine compartment into the interior of the vehicle through a proper grommet.

Mounting the Shock Sensor

Choose a suitable interior mounting location for the shock sensor that provides ample coverage of the vehicle. Keep the sensor away from the vehicle's ECM or other sources of electrical interference. Suggested mounting locations include air conditioning ducts, dashboard braces, or center console supports.

During proper operation, the shock sensor will detect impacts to the vehicle only and will not usually be triggered by slow rocking movements of the vehicle like those caused by wind.

System Wiring

14-Pin Main Harness

- Pin 1 **RED WIRE:** +12V Battery Input (15A Fuse). The RED wire must be connected to a clean source of continuous +12V power.
- Pin 2 **WHITE WIRE:** Parking Light Output (+/-) relay. Connect the White wire to the circuit that shows +12V or ground only when the parking lights are on and set the internal parking light relay jumper to the proper polarity. For parking light circuits exceeding 10 amps, a relay is required. For vehicle's with independent left and right parking light circuits, diodes must be installed to keep the circuits separate. NOTE: Do not connect the WHITE wire to the vehicle's headlight circuit.
- Pin 3 **BROWN WIRE:** Siren Output (+) 3A. The BROWN wire must connect to the siren's red wire. The BLACK siren wire must be grounded.
- Pin 4 **BLUE/WHITE:** Passenger Unlock output (-) 500mA. Connect to an optional relay to unlock the passenger doors for two-stage unlock (see Two Stage Door Lock Diagrams).
- Pin 5 **WHITE/RED WIRE:** Auxiliary 2 Output (-) 500mA. Connect to a relay or module for an optional feature such as power window activation or remote start, etc.
- Pin 6 **ORANGE WIRE:** Armed Output (-) 500mA. The ORANGE wire provides a ground output while armed to activate an optional starter defeat relay or other device such as a power window control module.
- Pin 7 **BROWN/WHITE WIRE:** Horn Output (-) 500mA. Connect to an optional relay to activate the vehicle's horn when the alarm is triggered.
- Pin 8 **BLACK/WHITE WIRE:** Dome Light Output (-) 500mA. Connect to an optional relay for dome light activation.(See GREEN and VIOLET door trigger wires).**NOTE: MUST USE RELAY**
- Pin 9 **BLUE WIRE:** Trunk/Hood trigger Input (-). Connect the BLUE wire to the trunk and/or optional hood pin switches. The switch must provide a ground output when opened.
- Pin 10 **GRAY WIRE:** Auxiliary 1 Output (-) 500mA. Connect to a relay or module for an optional feature such as trunk release, etc.
- Pin 11 **YELLOW WIRE:** +12V Ignition Input. The YELLOW wire must connect to a main ignition wire at the ignition harness. This wire must show +12V when the ignition is on.
- Pin 12 **BLACK WIRE:** Ground Input (-). The BLACK wire must connect to a solid chassis ground. Clean away any paint or dirt to insure the best possible ground.
- Pin 13 **VIOLET WIRE:** Positive door trigger Input (+). Connect to the door switch circuit wire that shows +12V when the door is open. This type of door circuit is usually found on Ford vehicles.
- Pin 14 **GREEN WIRE:** Negative door trigger Input (-). Connect to the door switch circuit wire that shows ground when the door is open.

Plug-in Connectors

3-Pin White Door Lock Connector: Plug-in connector port for door lock harness or optional door lock relay module.

- BLUE WIRE - negative unlock output (-) 500mA.
- GREEN WIRE - negative lock output (-) 500mA.

2-Pin Red Connector: Plug-in connector port for LED. Mount the LED in an area where it may be easily seen from either side of the vehicle.

2-Pin Blue Connector: Plug-in connector port for valet switch. Mount the valet switch in an area that is easily accessible from the driver's position.

4-Pin White Connector : Plug-in connector port for dual stage shock sensor.

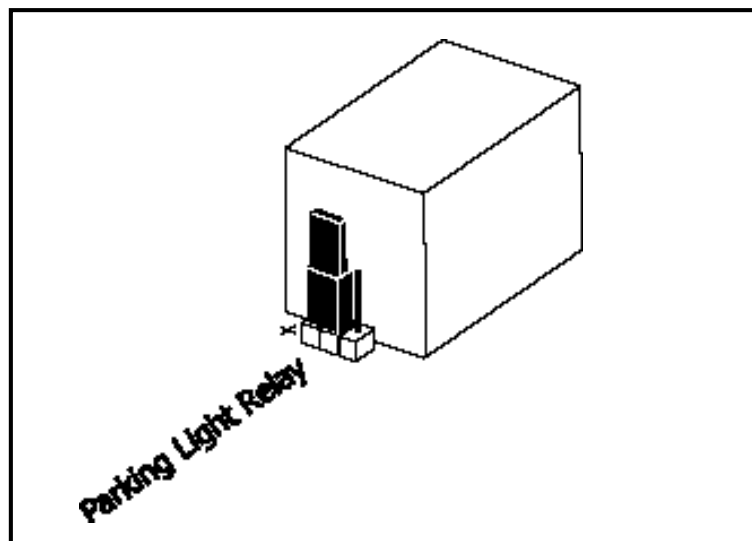
Jumper Settings

Jumper Selection

Carefully separate the top and bottom halves of the main unit case. Once the cover is removed, the parking light polarity jumper will be visible next to the parking light relay. Set the jumper for the correct polarity output as described below, then reassemble the main unit case.

Parking Light Output. Selects the polarity (+/-) for the output of the on-board Parking Light relay.

- Left Pin + Center Pin = positive
- Right Pin + Center Pin = negative



default setting shown

System Programming

Entering System Programming

To enter System Programming:

1. Turn on ignition.
2. Within 5 seconds, press the valet switch 5 times.
 - The siren will provide three chirps, indicating that you have entered Programming.
3. Press the valet switch the number times equal to the System Option you want to change.
 - The siren will chirp each time the valet switch is pressed.
4. Within 5 seconds, press the transmitter button corresponding to the desired operating mode for that System Option.
 - The siren will chirp to indicate the setting.

1 chirp	=	Button 1
2 chirps	=	Button 2
3 chirps	=	Button 3
5. When you are finished, turn off the ignition to save the changes.

Default Reset

Following this procedure will set all Programmable System Options to factory default settings.

1. Enter System Programming.
2. Press Transmitter Button 3.
 - The siren will chirp 6 times indicating that the reset signal was received.
 - All Programmable System Options are now set to factory default settings.
 - The Valet Mode is off.
3. Turn off ignition.

Programmable System Options

The following is a description of the programming options. Some program branches control more than one option, and may require accessing a particular branch number twice in order to program all desired features.

1. **Horn Chirps with Arm & Disarm.** Selects one of two modes: Normal, Horn Chirps
Normal. When selected, the horn will honk only when the alarm is triggered.
Horn Chirps. When selected, the horn will provide the arm/disarmed trigger indications, allowing the siren installation to be skipped.
2. **Arm Mode.** Selects one of two modes: Manual Arming or Passive Arming.
3. **Passive Door Locking.** Selects whether or not the system will automatically lock the doors during Passive Arming.
4. **Ignition Controlled Locks/ Override Code Set.** This dual program branch sets Ignition Controlled Locking and programs the optional Emergency Override Code. If Lock Only is selected, the doors will not automatically unlock when the ignition is turned off.
Override Code Set. Changes the Emergency Override Code for a higher level of security (see page 7).
5. **Ignition Door Unlocking.** Selects whether or not the system automatically unlocks the doors when the ignition is turned off. The Ignition Door Locking feature may be programmed to unlock all doors or the driver's door only. If driver's door only is selected, the optional Passenger Unlock feature must be connected. (*See Two Stage Door Lock Diagrams*)

6. **Ignore Open Door Report.** Bypasses the open zone warning chirps for vehicles equipped with a residual dome light circuit that remains ON for a period of time after closing the door.
7. **Auto Rearming Mode.** When selected, the system will automatically re-arm and lock 30 seconds after it has been disarmed regardless if a door is open or closed.
8. **Door Unlock Pulse.** Selects between one pulse or two pulse operation for the door unlock output. Vehicles that require two pulses on the proper wire to unlock the doors can be interfaced directly without the use of relays or any additional circuitry by programming the system for double unlock pulse.
9. **Arming Chirps.** Selects between normal and silent operation.
10. **Disarm with Auxiliary 1.** When selected, activating the Auxiliary 1 output (usually used to open the trunk) will disarm the alarm.
11. **Door Lock Pulse Length.** Selects between a 1, 3 or 0.1 second output for door locking and unlocking. Program to 3 seconds for vehicles equipped with vacuum door locking systems.
12. **Anti-Carjack Type.** Selects one of three modes for Anti-Carjacking: Active, Passive, or Full-Time.
Manual. When selected, pressing Button 4 will automatically engage the Anti-Carjacking feature.
Passive. When selected, the Anti-Carjacking feature will activate whenever a door is opened while the ignition is on.
Full-Time. When selected, the Anti-Carjacking feature will automatically activate each time the ignition is turned on.
13. **Anti-Carjack Mode.** Enables Anti-Carjacking protection.
14. **Horn Honk Output.** Selects the output, when activated, to be pulsing or constant.
15. **Aux 2 Auto Activate with Arm.** When selected, the Auxiliary 2 output will activate when the system is armed. This feature can be used to roll-up windows, close sunroofs, activate accessories, etc.
16. **Auxiliary 1 Mode.** Selects from momentary, 10 second timed, or latched operation for Auxiliary 1.
Momentary operation provides an output for as long as the transmitter button is pressed.
Timed operation provides an output that turns on for 10 seconds each time the transmitter button is pressed. If the button is pressed again during the 30 seconds, the output will turn off.
Latched operation provides an output that turns on when the transmitter button is pressed and remains on until the transmitter button is pressed again.
17. **Auxiliary 2 Mode.** Selects from momentary, 10 second timed, or latched operation for Auxiliary 2.
Momentary operation provides an output for as long as the transmitter button is pressed.
Timed operation provides an output that turns on for 10 seconds each time the transmitter button is pressed. If the button is pressed again during the 30 seconds, the output will turn off.
Latched operation provides an output that turns on when the transmitter button is pressed and remains on until the transmitter button is pressed again.
18. **Ignition Armed Mode.** When enabled, the security system may also be manually armed and disarmed using the transmitter, while the ignition is on.
19. **Extended Parking Lights.** When selected, the parking lights will remain ON for 30 seconds after disarming the system.
20. **Warn-Away Pager Report.** When Enabled, Warn-Away report will be sent to the pager. If Disabled no Warn-Away report will be sent to the pager.

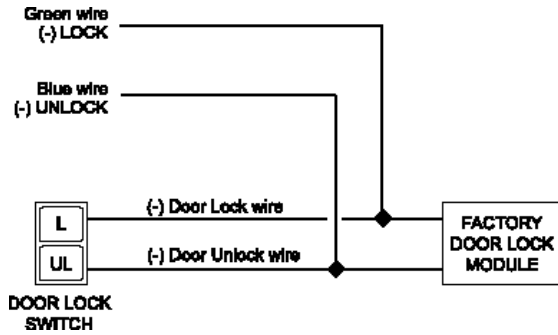
21. **Smart Siren Mode.** When Enabled works with Optional ScyTek MP3 Player Siren Unit.

Branch	Feature	Button 1 (default)	Button 2	Button 3
1.	Horn Chirps w/ Arm&Disarm	Normal	Horn Chirps	
2.	Arm Mode	Manual Arming	Passive Arming	
3.	Passive Door Locking	Disabled	Enabled	
4.	Ignition Controlled Locks	On	Off	Set Override Code
5.	Ignition Controlled Unlock	All	Driver Only	Disabled
6.	Ignore Open Door Report	Off	Ignore	
7.	Auto Rearming	Disabled	Enabled	
8.	Door Unlock Pulse	Single	Double	
9.	Arming Chirps	Normal	Silent	
10.	Disarm with Aux 1	Disabled	Enabled	
11.	Door Lock Pulse Length	1 second	3 seconds	0.1 seconds
12.	Anti-Carjack Type	Manual	Passive	Full-time
13.	Anti-Carjack Mode	Disabled	Enabled	
14.	Horn Honk Output	Flashing	Continuous	
15.	Aux 2 Activate on Arm	Disabled	Enabled	
16.	Aux 1 Mode	Pulsed	Timed	Latched
17.	Aux 2 Mode	Pulsed	Timed	Latched
18.	Ignition Armed Mode	Disabled	Enabled	
19.	Extended Parking Lights	On	Off	
20.	Warn-Away Pager Report	Enabled	Disabled	
21.	Smart Siren Mode	Disabled	Enabled	

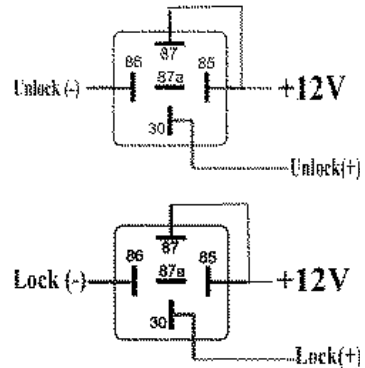
Door Lock Diagrams

Follow the diagrams below for connecting basic door lock systems. For Two Stage door lock systems (separately unlocks driver and passenger doors) see following pages.

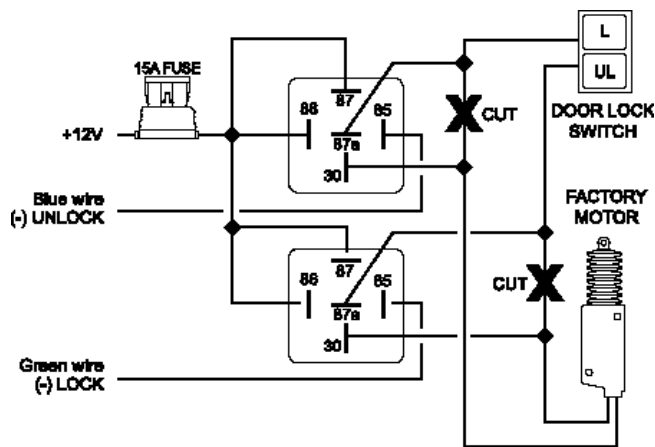
Negative Trigger



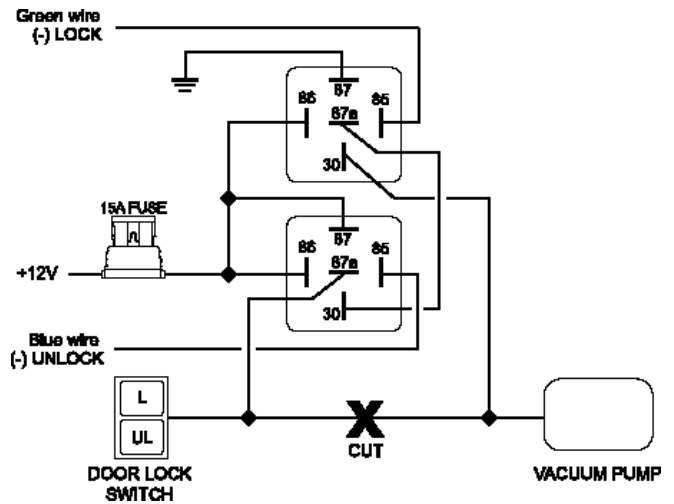
Positive Trigger



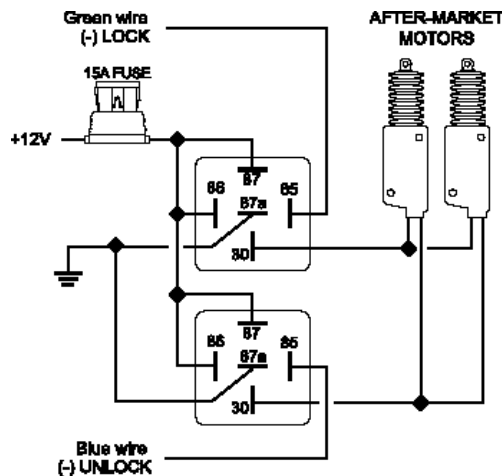
Reverse Polarity



Vacuum



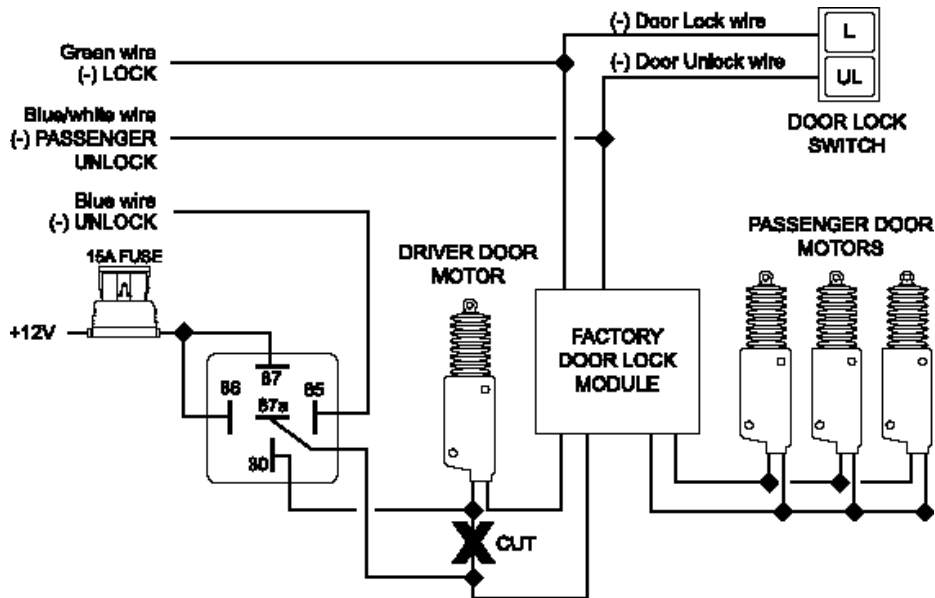
Adding Actuators



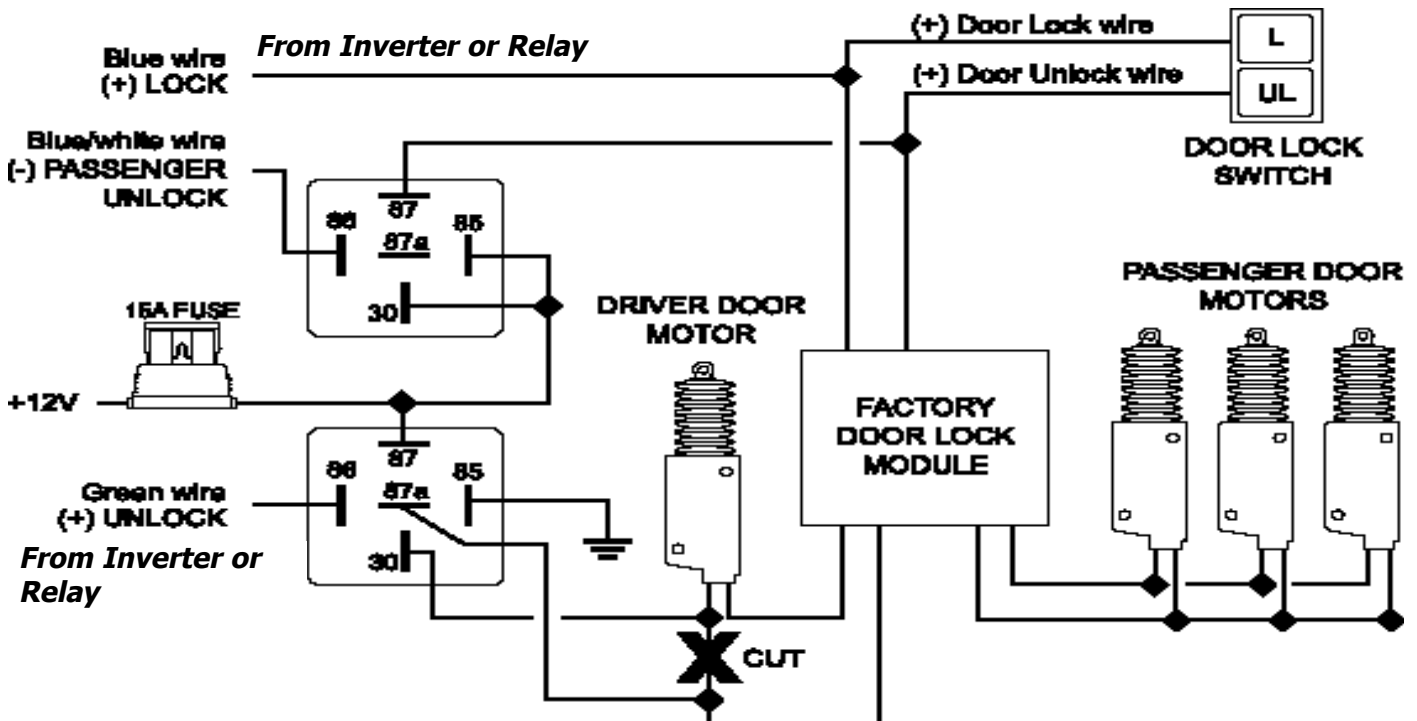
Two Stage Door Lock Diagrams

The VECTRA X3 is equipped with a dedicated Passenger Unlock output allowing Two Stage Door Lock operation. When connected as shown below, disarming the system will unlock only the driver's door. Pressing the disarm button again will unlock all doors.

Two Stage Negative Trigger

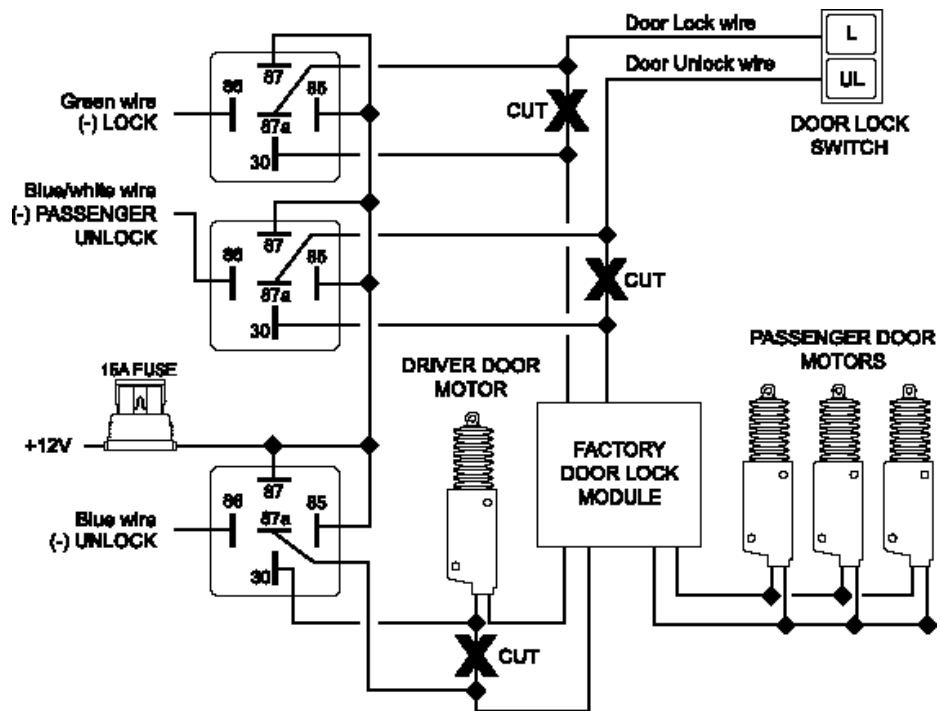


Two Stage Positive Trigger

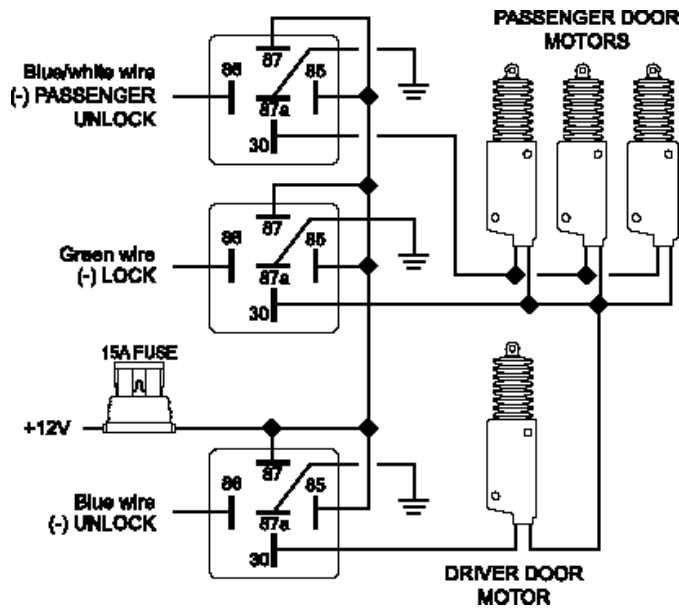


Two Stage Door Lock Diagrams cont'd

Two Stage Reverse Polarity



Two Stage Adding Actuators



Technical Information

FCC ID: OARRXAM2000

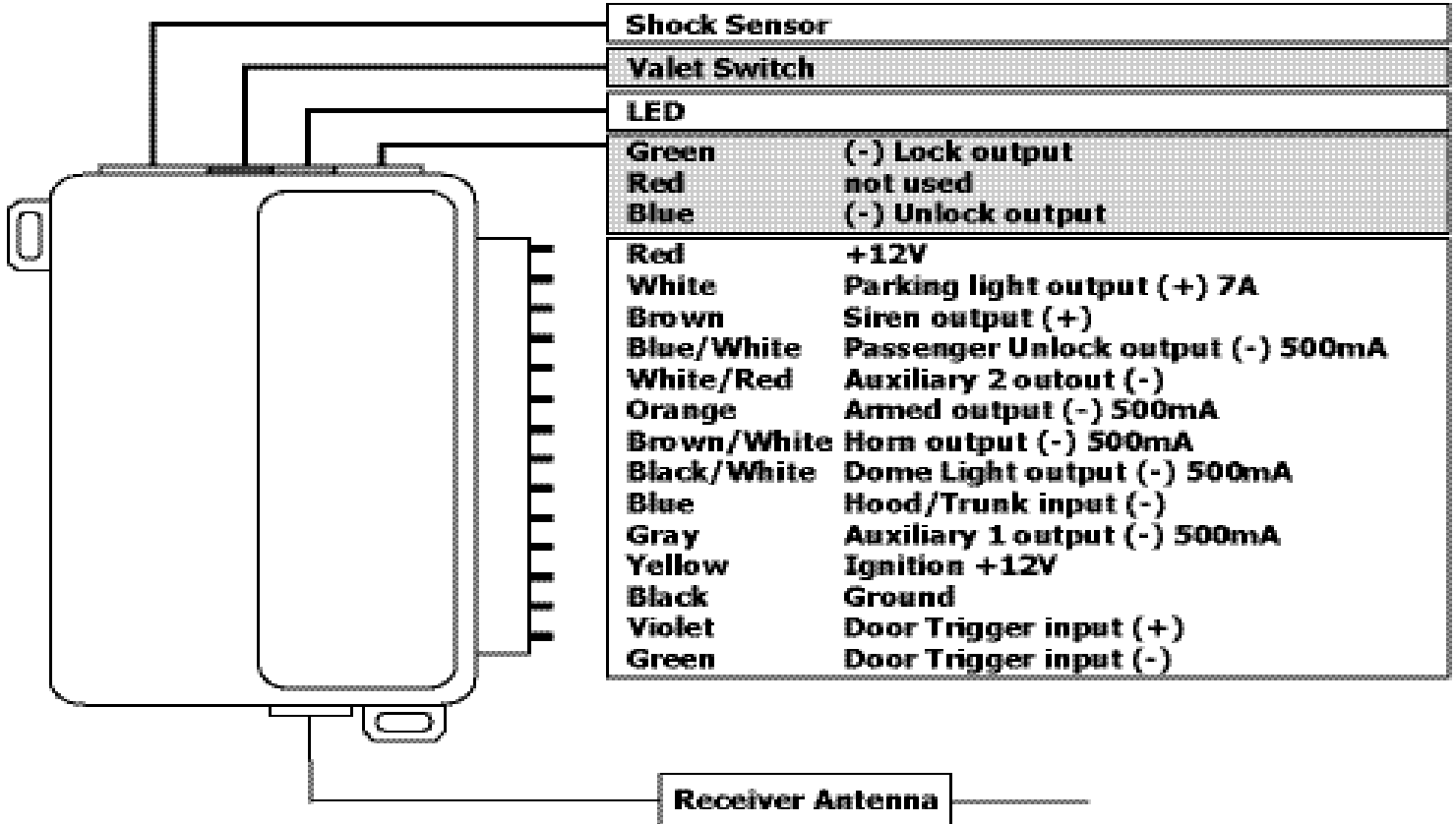
This device complies with Part 15 of FCC Rules.

Operation is subject to the following two conditions:

- 1) This device may not cause harmful interference.
- 2) This device must accept any interference received, including interference that may cause undesired operation



Wiring Diagram



ScyTek Electronics
 11627 Cantara Street
 North Hollywood, CA 91605
www.scytek.net