



VEHICLE TRACKING SYSTEM

SKYTRAK-3000

Limited Lifetime Warranty

This vehicle tracking system is warranted to the original purchaser, to be free from defects in material and workmanship. The manufacturer will repair or replace at its option, and free of charge for the first twelve (12) months, any part that proves defective in material or workmanship under normal installation, use, and service, provided the product is returned to the manufacturer freight prepaid. After the first 12 month warranty period there will be a maximum service charge of \$100.00 per calendar year (if required) for repair and/or replacement of any defective parts.

A copy of the original purchase and installation receipt must accompany any products returned for warranty service. Warranty is limited to defective parts and/or replacement parts only and excludes any incidental, and consequential damages connected therewith.

The manufacturer of this tracking system makes no warranty against the theft of the vehicle or its contents. This warranty is not to be construed as an insurance policy against loss.

WARRANTY OF INSTALLATION LABOR, REMOVAL AND RE-INSTALLATION CHARGES ARE NOT THE RESPONSIBILITY OF THE MANUFACTURER.

PLEASE NOTE:

Some of the features described in this manual may require additional parts and/or labor, and may not be included as part of the standard installation of this unit. Please discuss these features and any questions you may have regarding the installation of this product with Your Authorized Dealer.

Table of Contents

1.	About Your System	Page 1
2.	Quick Start Guide	Page 2
3.	New Master Account Registration Page	Page 3
4.	New Vehicle Registration Page	Page 4
5.	Billing Information Page	Page 5
6.	Sub User Account	Page 6
7.	SkyTrak 3000 Login Page	Page 7
8.	The Home Page	Page 8
9.	Vehicle Alerts	Page 9
10.	SkyTrak 3000 Main Page	Page 10
13.	Landmark Management	Page 13
14.	Mounting the skyTrak 3000	Page 14
15.	Door Lock Diagrams	Page 15
	Wiring Diagram	Back Page

About Your System

The **SkyTrak 3000** is a **Vehicle Tracking System**

System Features:

- Unlimited Real-time GPS tracking with user-friendly internet software
- Bread Crumb History Trail
- Fast Response Time
- High gain GPS/Cellular antenna
- Issue commands via internet or web enabled Cell Phone
- Door Lock/Unlock, remote start, starter disable/enable, flash horn
- Notification alerts sent to cell phone and email address
- Excessive speed , theft daily curfew, geo-fencing, four input triggers
- Engine on /off reports
- Multi vehicle monitoring
- 5 minutes automatic update

Quick Start Guide for SkyTrak 3000

System Registration:

To Register your SkyTrak 3000

- 1- Login on to www.scytrak.net
- 2- Click on the "Click to register"

SCYTEK
ELECTRONICS

Real-Time Vehicle Tracking System

SKYTRAK
3000

Log In

User Name:

Password:

Remember me next time.

Log In

[Click to Register](#)

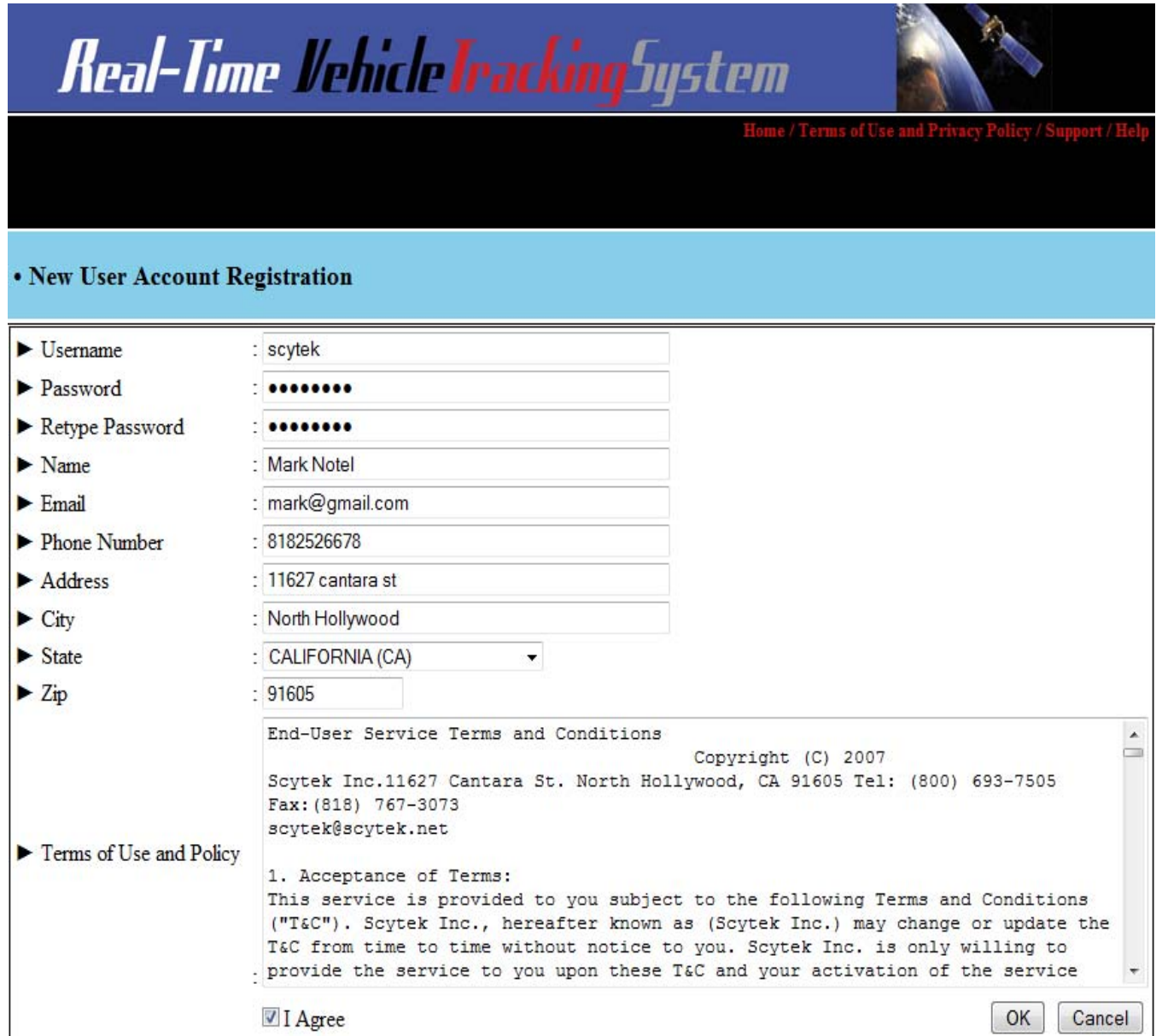
Start Here

New Master Account Registration Page

New Master Account Registration screen.

In the "User ID" area type in your login ID, then complete the rest of the information.

After completing Master Account registration page, click on "O.K" at the bottom far right side.



The screenshot shows the registration interface for the Real-Time Vehicle Tracking System. At the top, there is a blue header with the system name and a satellite image. Below the header is a navigation menu with links for Home, Terms of Use and Privacy Policy, Support, and Help. The main content area is titled "New User Account Registration" and contains a form with the following fields:

- ▶ Username: scytek
- ▶ Password: [masked]
- ▶ Retype Password: [masked]
- ▶ Name: Mark Notel
- ▶ Email: mark@gmail.com
- ▶ Phone Number: 8182526678
- ▶ Address: 11627 cantara st
- ▶ City: North Hollywood
- ▶ State: CALIFORNIA (CA)
- ▶ Zip: 91605

Below the form fields is a section for "End-User Service Terms and Conditions" with a scrollable text area containing the following text:

Copyright (C) 2007
Scytek Inc. 11627 Cantara St. North Hollywood, CA 91605 Tel: (800) 693-7505
Fax: (818) 767-3073
scytek@scytek.net

1. Acceptance of Terms:
This service is provided to you subject to the following Terms and Conditions ("T&C"). Scytek Inc., hereafter known as (Scytek Inc.) may change or update the T&C from time to time without notice to you. Scytek Inc. is only willing to provide the service to you upon these T&C and your activation of the service

At the bottom of the form, there is a checkbox labeled "I Agree" which is checked, and two buttons: "OK" and "Cancel".

New Vehicle Registration Page

New Vehicle Registration screen

In the "Vehicle's ID " area type in the Vehicle name such as Johny's Car or Vehicl's model, then complete the rest of the information.

Vehicle / Management

Vehicle Name: Demo-1

Vehicle Model: Demo

Group Name: ScyTek

Device S/N: c0501

Eastern Hemisphere:

Timezone: (GMT-08:00) Pacific Time (US & Canada) Daylight Savings Time

Alert Recipients:

Edit SMS Recipients

3103145679/AT&T
8182526678/AT&T

Edit Email Recipients

notel@gmail.com
john@msn.com
Jane@gmail.com

Vehicle Icon:

Save Reset

Billing Information Page

Billing information screen.

In the Service Term Area, select the yearly plan that you like. then complete the rest of the information.

• Billing Information	
▶ Service Terms	: One Year (\$180) ▼
<hr/>	
▶ Card Type	: Mastercard ▼
▶ Card Number	: 3333444455556666
▶ Name on Card	: Mark Notel
▶ Expiration Date	: Month: 05-May ▼ / 2013 ▼
<hr/>	
▶ Address	: 11627 Cantara St
▶ City	: North Hollywood
▶ State	: CA
▶ Zip Code	: 91605
▶ Phone Number	: 8182526678
<input type="button" value="Submit"/> <input type="button" value="Cancel"/>	

Sub User Account

Subuser account allows for additional users to manage the fleet vehicles with varies degrees of control.

Home / Terms of Use and Privacy Policy / Support / Help

Welcome [sign out](#)

Tracking | Reports | Account | Vehicles | Landmarks

Account / Management

▶ User ID (Master) : skytrakdemo

▶ User Name : ScyTek

▶ Password : ●●●●

▶ Retype Password : ●●●●

▶ Email : scytek@scytek.net

▶ Name : ScyTek

▶ Address : 11627 Cantara st.

▶ City : North Hollywood

▶ State : CALIFORNIA (CA)

▶ Zip Code : 91605

▶ Phone Number : 818.252.6678

▶ Measurement : Miles

[Subuser Management](#)

Click on Subuser Management to edit the page.

Subuser Management

▶ Full Name : Jim Notel

▶ User Name : JimNotel

▶ Password : Notel1

▶ Email : Notel@gmail.com

▶ Phone : 8182526678

▶ Measurement : Miles

▶ Permissions

- View/Track
- Basic Command
- Security Command
- Vehicle Management
- Alert Setup

▶ Vehicles

Serial No	Device	Model	Group	
c0501	Demo-1	Demo	ScyTek	<input checked="" type="checkbox"/>
c0504	Demo-2	Demo-2	ScyTek	<input type="checkbox"/>

There was no data returned for the report

Record count: 0

Page 1 of 1 show 10 per page

Find: Name

Register the subuser and assign the vehicles and checkmark the desired privilege of the user.

More then one subuser can be assigned to that vehicle group.

SkyTrak 3000 Login Page

login page www.scytrak.net

SKYTRAK 3000 GPS Login Page:

Login: input your Login ID and your Password.

"you may change your password at any time for your personal security" Click on the field marked "Sign in" and you will then be taken to your SKYTRAK 3000 GPS Home Page.



The Home Page

Your SKYTRAK 3000 GPS Home Page will have your vehicle(s) listed and look very similar to this.

Click on the Vehicle name to select that particular vehicle, the screen will refresh displaying the map with the breadcrumb trail showing the last locations of the vehicle.

Home / Terms of Use and Privacy Policy / Support / Help

Welcome SkyTek

Tracking | Reports | Account | Vehicles | Landmarks

Month/Day/Year/Hour
Mar 3 2010 All

Track

Track Latest / Update

List Duplicate Events

Auto-Refresh

Group: All

Vehicle List

1 Demo-1 Track Output

2 Demo-2 Track Output

Track Output

Track Output

Device model: 3000

One event 10 events 40 events 80 events

Geo-Fence OFF Time-Fence OFF Speed-Fence ON SMS Alert OFF

Expiration: 12/31/2010

Input 1 OFF Input 2 OFF Input 3 OFF Input 4 OFF

2: Demo-2 Showing 1 - 10 of 57

Time	Status	Alert	Landmark	Address	MPH	Direction
9:04 PM	Engine off (ping)	Normal	set	2093-2097 Rimcrest Dr, Glendale, CA	0	N
3/3/2010 3:42 PM	Ignition off	Normal	set	2093-2097 Rimcrest Dr, Glendale, CA	0	N
3/3/2010 3:38 PM	Idle	Normal	set	1600-1698 Ridgeview Dr, Glendale, CA	0	N
3/3/2010 3:33 PM	Driving	Normal	set	1644 Cielito Dr, Glendale, CA	28	NW
3/3/2010 3:28 PM	Driving	Normal	set	901 N Central Ave, Glendale, CA	0	N
3/3/2010 3:23 PM	Driving	Normal	set	Golden State Fwy, Burbank, CA	83	SE
3/3/2010 3:18 PM	Driving	Speed alert	set	Golden State Fwy, Sun Valley, CA	76	S
3/3/2010 3:18 PM	Driving	Normal	set	Golden State Fwy, Sun Valley, CA	71	SE
3/3/2010 3:13 PM	Ignition on	Normal	set	11627 Cantara St, Sun Valley, CA	0	N
3/3/2010 1:03 PM	Ignition off	Normal	set	11627 Cantara St, Sun Valley, CA	0	N

GPS Tracking Service Powered by Skytek Inc.
11627 Cantara St. North Hollywood, CA 91605 Tel: (800) 863-7556 Fax: (818) 767-3073 Email: skytek@skytek.net

Vehicle Alert Window

Vehicle Alert Window:

Vehicle alert window is located below the map, it contains;

1. Number of events displayed on the map
 Select the number of events on the map by selecting 1,10,40 or 80, recorded events will be displayed showing the state of the vehicle and the direction of the motion.
2. Contract expiration date
 Current state of the subscription.
3. Current alert state
 alerts that are enabled are highlighted. Edit the alert selection by clicking on any of Alert buttons.

Geo-Fence	<input checked="" type="radio"/> Alert if enters <input type="radio"/> Alert if exits Address: <input type="text" value="11627 Cantara St North Hollywood, CA 91"/> Radius (miles): <input type="text" value="1"/> <input type="button" value="Set"/> Latitude: <input type="text" value="34.2199450"/> Longitude: <input type="text" value="-118.3854330"/> <input type="radio"/> On <input checked="" type="radio"/> Off
Time-Fence	Alert if move between <input type="text" value="20"/> :00 and <input type="text" value="7"/> :00 <input type="radio"/> On <input checked="" type="radio"/> Off
Speed Alert	Alert if over <input type="text" value="65"/> mph <input type="radio"/> On <input checked="" type="radio"/> Off
SMS	Send SMS/Email if violated <input checked="" type="radio"/> On <input type="radio"/> Off
<input type="text" value="Set name"/> <input type="text" value="Input1"/>	Alarm Set <input type="radio"/> On <input checked="" type="radio"/> Off
<input type="text" value="Set name"/> <input type="text" value="Input2"/>	Alarm Set <input type="radio"/> On <input checked="" type="radio"/> Off
<input type="text" value="Set name"/> <input type="text" value="Input3"/>	Alarm Set <input type="radio"/> On <input checked="" type="radio"/> Off
<input type="text" value="Set name"/> <input type="text" value="Input4"/>	Alarm Set <input type="radio"/> On <input checked="" type="radio"/> Off

System Alerts

1. Geo Fence Alert setup:

Type in the address of the Geo Fence window and the boundary size, chose if alert is for antry into or exit from the boundaries.

Select the Geo Fence Alert.

2. Time Fence Alert:

Set the time alert window, when alert is on, if the vehicle ignition is turned on within the time window an alert will be set.

3. Speed Alert:

Select the speed threshold, when the alert is set, if the vehicle speed exceeds the set speed Alert is set.

4. SMS Alert:

SMS alert sends all alerts as a text message to the preset SMS and Email addresses specified in the vehicle setup window, note: that multiple Emails and text messages are allowed.

5. Input Alerts:

There are four alert inputs that can be selected.

Inputs 1 2, and 3 are negative (ground).

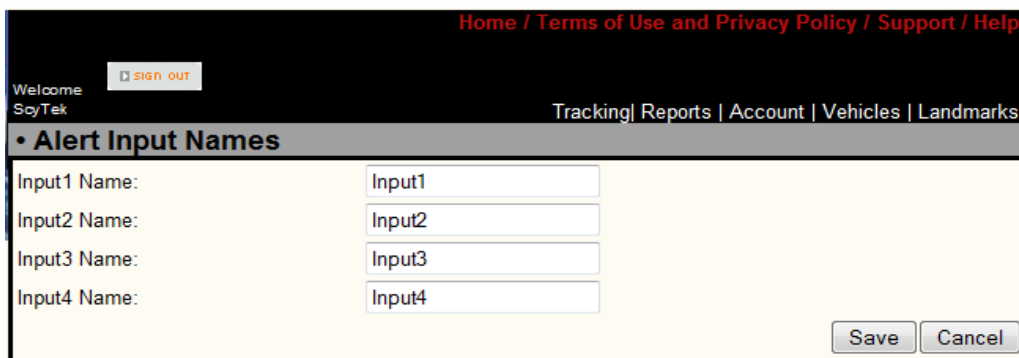
Input 4 is Positive (12V), this input when the Skytrak system is connected to ScyTek Galaxy Security System is automatically reports an Alarm Alert.

In stand-alone mode an alert will be set only if the input is valid for over 5 seconds. connect this input to the siren of vehicle alarm.

After completion of alert setup, Press the save button on the bottom of the screen to save the setup in the remote unit.

The **Success** response indicates the unit received the alert setup.

Renaming input alerts



Home / Terms of Use and Privacy Policy / Support / Help

Welcome

ScyTek Tracking | Reports | Account | Vehicles | Landmarks

• Alert Input Names

Input1 Name:	<input type="text" value="Input1"/>
Input2 Name:	<input type="text" value="Input2"/>
Input3 Name:	<input type="text" value="Input3"/>
Input4 Name:	<input type="text" value="Input4"/>

SkyTrak 3000 Main Page

In the main Page provides tracking and control of the vehicles. View all vehicle locations on the map by checking the Check all box and clicking on the Track Today/Refresh button. Refresh location manually by clicking on the Track button of the specific vehicle. When success result appears the map will refresh automatically and display the latest vehicle location. Select the **auto refresh** mode to refresh the display once a minute automatically, this feature provides a live display of all the selected vehicles.

The screenshot displays the SkyTrak 3000 web interface. At the top right, there are navigation links: Home / Terms of Use and Privacy Policy / Support / Help. Below these are links for Tracking, Reports, Account, Vehicles, and Landmarks. The main area features a map of the Burbank, CA region with several vehicles marked. On the left, there is a control panel with a 'Track' button and an 'Auto-Refresh' checkbox. A 'Vehicle List' shows two vehicles: Demo-1 and Demo-2, each with a 'Track Output' button. A callout box highlights these buttons. Below the map, there is a configuration section for 'Device model: 3000' with various settings like 'Geo-Fence OFF', 'Time-Fence OFF', 'Speed-Fence ON', and 'SMS Alert OFF'. Below this is a table for 'Vehicle 2: Demo-2' showing a list of events.

Device model: 3000

Geo-Fence OFF | Time-Fence OFF | Speed-Fence ON | SMS Alert OFF

Input 1 OFF | Input 2 OFF | Input 3 OFF | Input 4 OFF

Vehicle 2: Demo-2 | Showing 1 - 10 of 57

Date	Time	Status	Alert	Landmark	Address	MPH	Direction
3/3/2010	9:04 PM	Engine off (ping)	Normal	set	2093-2097 Rimcrest Dr, Glendale, CA	0	N
3/3/2010	3:42 PM	Ignition off	Normal	set	2093-2097 Rimcrest Dr, Glendale, CA	0	N
3/3/2010	3:38 PM	Idle	Normal	set	1600-1698 Ridgeview Dr, Glendale, CA	0	N
3/3/2010	3:33 PM	Driving	Normal	set	1644 Cielito Dr, Glendale, CA	28	NW
3/3/2010	3:28 PM	Driving	Normal	set	901 N Central Ave, Glendale, CA	0	N
3/3/2010	3:23 PM	Driving	Normal	set	Golden State Fwy, Burbank, CA	83	SE
3/3/2010	3:18 PM	Driving	Speed alert	set	Golden State Fwy, Sun Valley, CA	76	S
3/3/2010	3:18 PM	Driving	Normal	set	Golden State Fwy, Sun Valley, CA	71	SE
3/3/2010	3:13 PM	Ignition on	Normal	set	11627 Cantara St, Sun Valley, CA	0	N
3/3/2010	1:03 PM	Ignition off	Normal	set	11627 Cantara St, Sun Valley, CA	0	N

GPS Tracking Service Powered by Scytek Inc.
11627 Cantara St. North Hollywood, CA 91605 Tel: (800) 693-7505 Fax: (818) 767-3073 Email: scytek@scytek.net

Outputs

SkyTrak system has been provided with four outputs.

The system is designed for stand alone use or with combination of ScyTek Security systems.

Using with combination of ScyTek Security

Output 3 - Arms or Disarms the Security System

Output 4 - Starts or Stops Vehicle Remote Start

Output 1 - Trunk Release

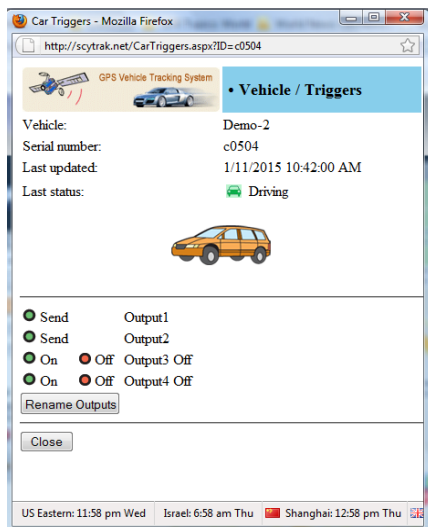
Output 2 - Momentary activation of auxiliary output

Stand Alone Mode:

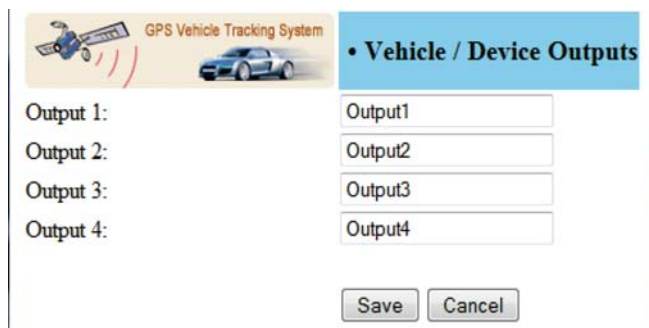
Output 1 and 2 are momentary, and output 3 and 4 are latched.

Activated each of the outputs by pressing the output button.

Output window will open to reveal the system outputs.



Click on send button to activate outputs 1 or 2, or **on** or **off** for outputs 3 and 4. state of the outputs 3 and 4 is also displayed.



Landmark Management

From the vehicle history table click on the set button in Landmark column, the landmark window will open up.

Vehicle 2: Demo-2 Showing 1 - 10 of 57

Date	Time	Status	Alert	Landmark	Address	MPH	Direction
3/3/2010	9:04 PM	Engine off (ping)	Normal	set	2093-2097 Rimcrest Dr, Glendale, CA	0	N
3/3/2010	3:42 PM	Ignition off	Normal	set	2093-2097 Rimcrest Dr, Glendale, CA	0	N
3/3/2010	3:38 PM	Idle	Normal	set	1600-1698 Ridgeview Dr, Glendale, CA	0	N
3/3/2010	3:33 PM	Driving	Normal	set	1644 Cielito Dr, Glendale, CA	28	NW
3/3/2010	3:28 PM	Driving	Normal	set	901 N Central Ave, Glendale, CA	0	N
3/3/2010	3:23 PM	Driving	Normal	set	Golden State Fwy, Burbank, CA	83	SE
3/3/2010	3:18 PM	Driving	Speed alert	set	Golden State Fwy, Sun Valley, CA	76	S
3/3/2010	3:18 PM	Driving	Normal	set	Golden State Fwy, Sun Valley, CA	71	SE
3/3/2010	3:13 PM	Ignition on	Normal	set	11627 Cantara St, Sun Valley, CA	0	N
3/3/2010	1:03 PM	Ignition off	Normal	set	11627 Cantara St, Sun Valley, CA	0	N

Select the appropriate icon and name the landmark. The icon will appear on the map for easy vehicle location identification.

Landmarks / Management











Landmark Name:

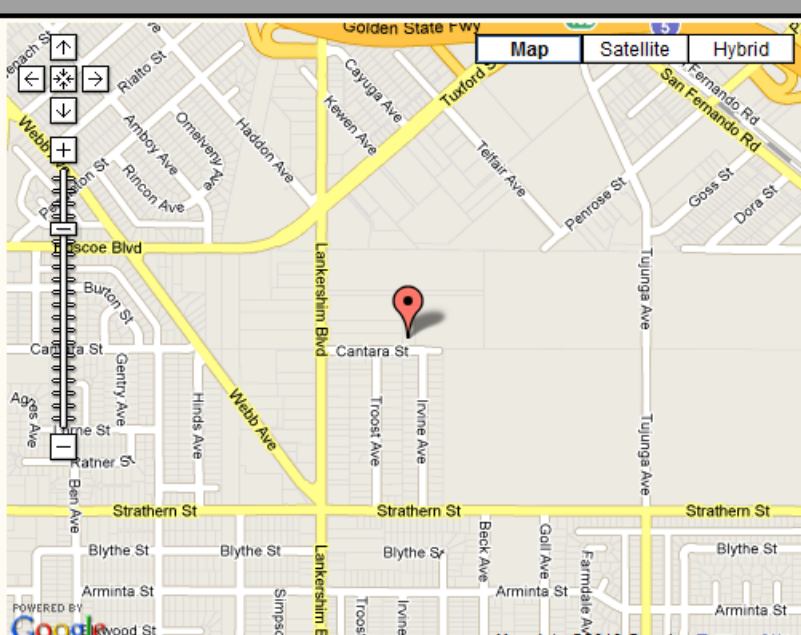
Address:

Latitude:

Longitude:

Landmark Icon:



Map Satellite Hybrid

Map data ©2010 Google

ID	Landmark Name	Address	Latitude	Longitude	Delete
3	Office	11627 Cantara St, Sun Valley, CA 91352, USA	34.219560	-118.385508	X

Record count: 1

<< < Page 1 of 1 > >> show 10 per page

Find: Landmark Name

GPS Tracking Service Powered by Scytek Inc.

11627 Cantara St. North Hollywood, CA 91605 Tel: (800) 693-7505 Fax: (818) 767-3073 Email: scytek@scytek.net

Mounting the skyTrak 3000

The main unit can be mounted under the dashboard.
The GSM/GPRS antenna affixes to the windshield with the double sided tape.
The GPS Antenna affixes on the dashboard with double sided tape.

The GSM and GPS antenna can be hidden under the dashboard.


Note: The GPS antenna if hidden the top side must be faced towards the sky.

SkyTrak 3000

WWW.SCYTRAK.NET


Mounting the Main Unit

- The Main Unit must only be mounted under the dashboard.



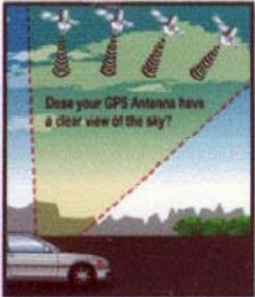
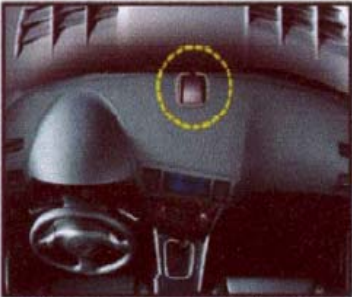
Mounting the GPRS Antenna

- The GSM/GPRS Antenna affixes to the windshield with the double sided tape.




Mounting the GPS Antenna

- The GPS Antenna affixes on the dashboard with the double sided tape.




Do your GPS Antenna have a clear view of the sky?

Hiding the Antennas



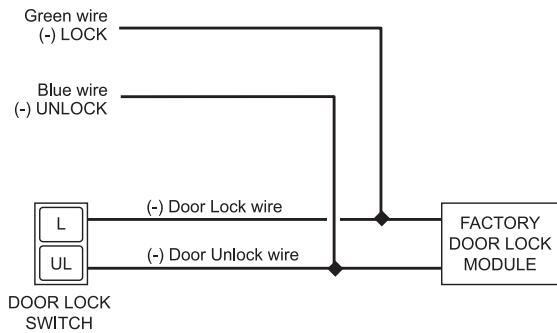
Mounting the Optional Camera

- The Camera affixes to the windshield with the double sided tape.

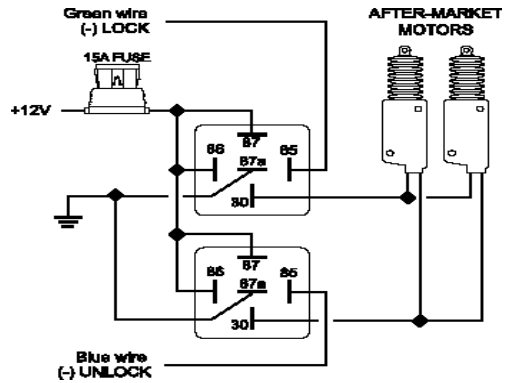


Door Lock Diagrams

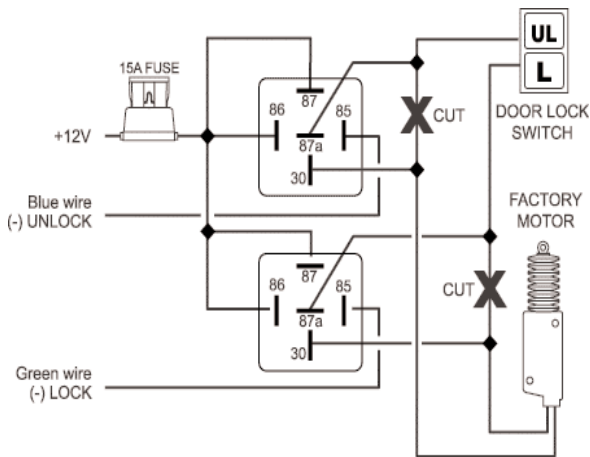
Negative Trigger



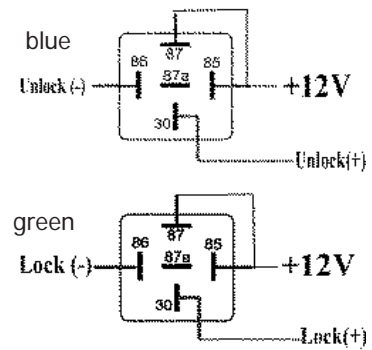
Adding Actuators



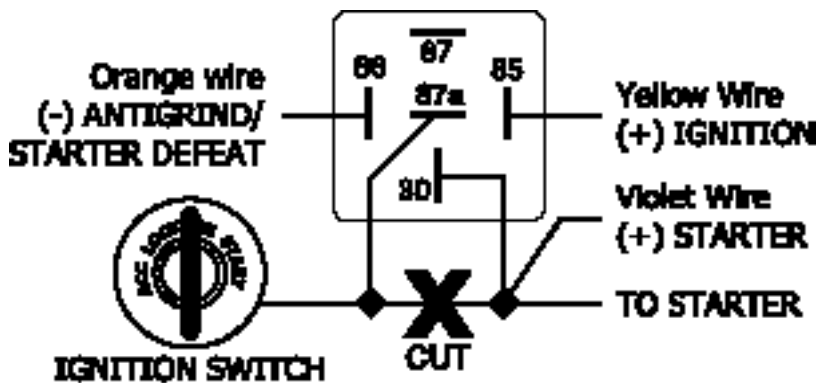
Reverse Polarity



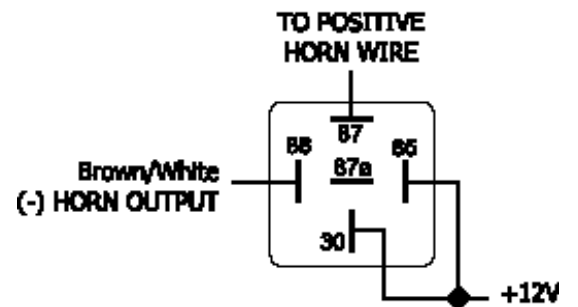
Positive Trigger



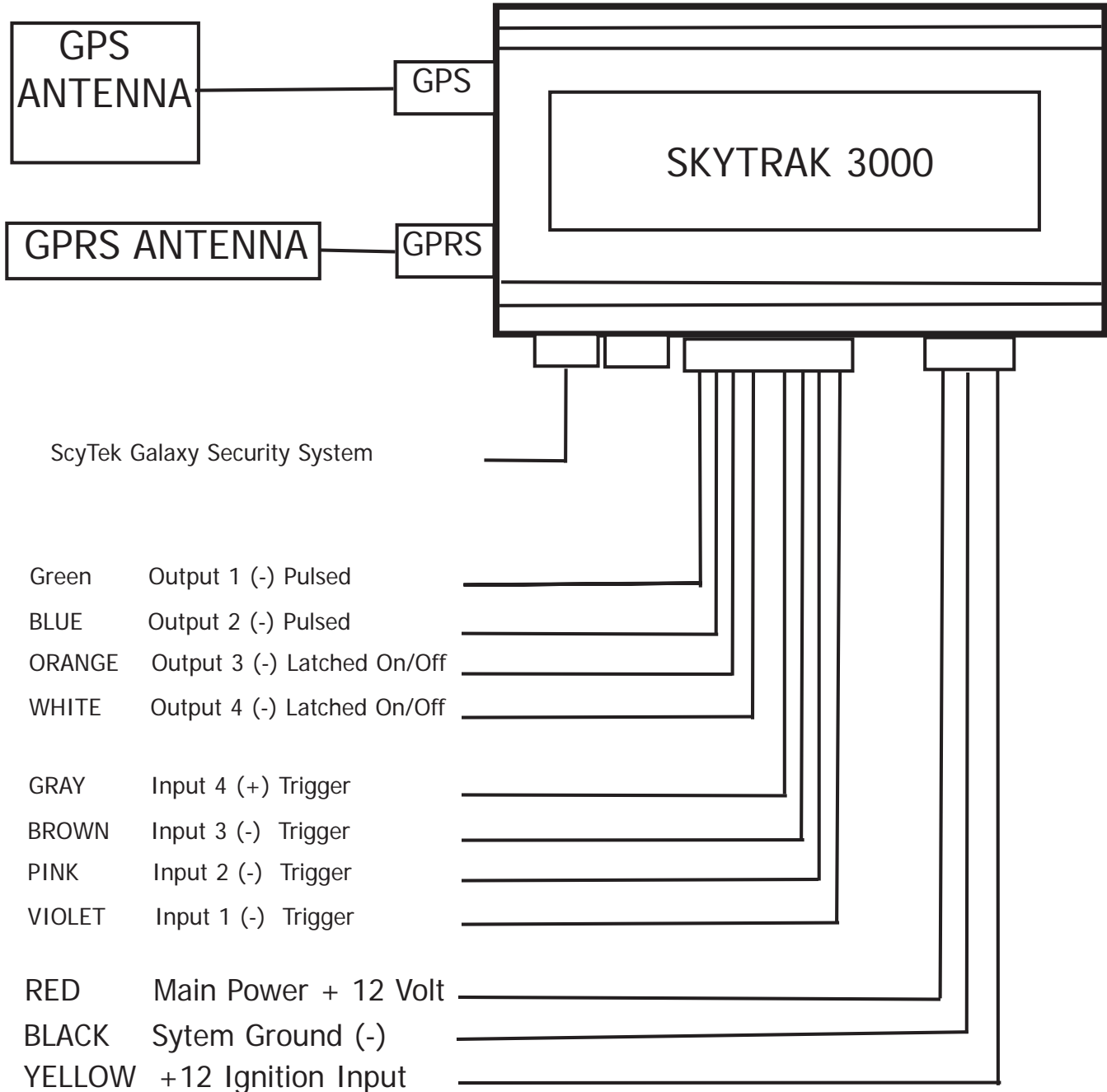
Starter Interrupt



Positive Horn Honk



Wiring Diagram



ScyTek Electronics
 11627 Cantara Street
 North Hollywood, CA 91605
www.scytek.net